

Book

Design:
PETRA RUNGE



+ info: <https://www.depadova.com/materials.pdf>
De Padova srl - info@depadova.it

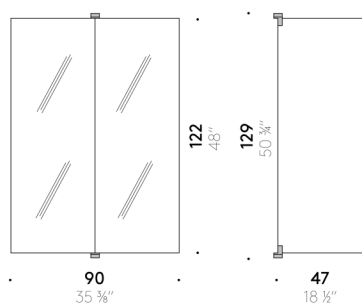
WALL-MOUNTED FOLDING MIRROR

Materials

Wall support, frame and hinges
satin anodised aluminium. 180° hinges.

Mirror

extra-clear reflecting silver-finished glass.



Book

Design:
PETRA RUNGE



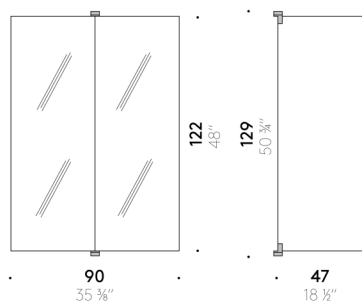
+ info: <https://www.depadova.com/materials.pdf>
De Padova srl - info@depadova.it

SPECCHIO A LIBRO DA PARETE

Materiali

Supporto a muro, telaio e cerniere
alluminio anodizzato satinato. Cerniere con rotazione a 180°.

Specchio
vetro riflettente extrachiaro argentato.



Book

Design:
PETRA RUNGE



+ info: <https://www.depadova.com/materials.pdf>
De Padova srl - info@depadova.it

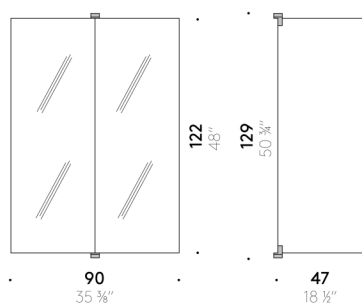
MIROIR PLIANT MURAL

Matériaux

Support mural, structure et charnières
aluminium anodisé satiné. Charnières avec rotation à 180°.

Miroir

verre réfléchissant extraclair argenté.



Book

Design:
PETRA RUNGE



+ info: <https://www.depadova.com/materials.pdf>
De Padova srl - info@depadova.it

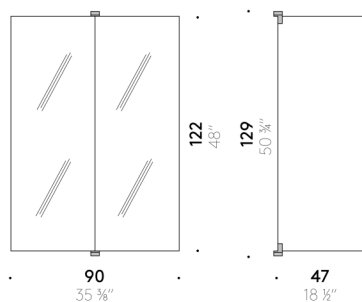
ZUSAMMENKLAPPBARER WANDSPIEGEL

Materialien

Wandträger, Rahmen und Scharniere
Satinierendes eloxiertes Aluminium. Scharniere mit 180°-Öffnungswinkel.

Spiegel

reflektierendes versilbertes Glas extrahell



Book

Design:
PETRA RUNGE



+ info: <https://www.depadova.com/materials.pdf>
De Padova srl - info@depadova.it

ESPEJO PLEGABLE DE PARED

Materiales

Soporte de pared, estructura y bisagras
aluminio anodizado satinado. Bisagras con rotación en 180°.

Espejo

vidrio reflectante extraclaro plateado.

