

Branch Of The Maple

Design:

TIME & STYLE ědition
MADE IN JAPAN

TIME & STYLE ědition

+ info: <https://www.depadova.com/materials.pdf>
De Padova srl - info@depadova.it



CLOTHES VALET STAND AND COAT STAND

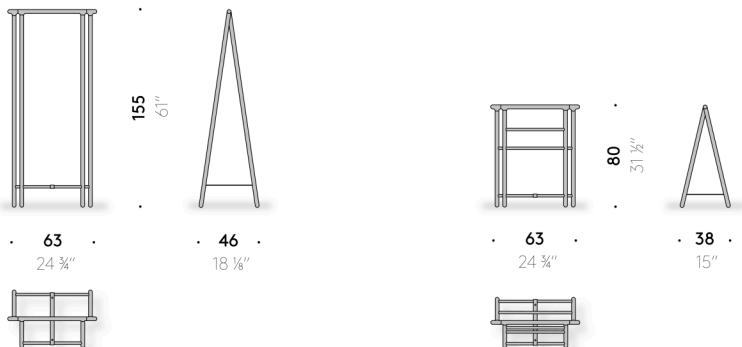
Materials

Frame

snow white or grey charcoal-stained solid maple wood, finished with transparent water-based or solvent-based coating.

Strap

vegetable-tanned semi-aniline-dyed cowhide, natural colour.



Branch Of The Maple

Design:

TIME & STYLE ědition
MADE IN JAPAN

TIME & STYLE ědition

+ info: <https://www.depadova.com/materials.pdf>
De Padova srl - info@depadova.it



SERVOMUTO E APPENDIABITI

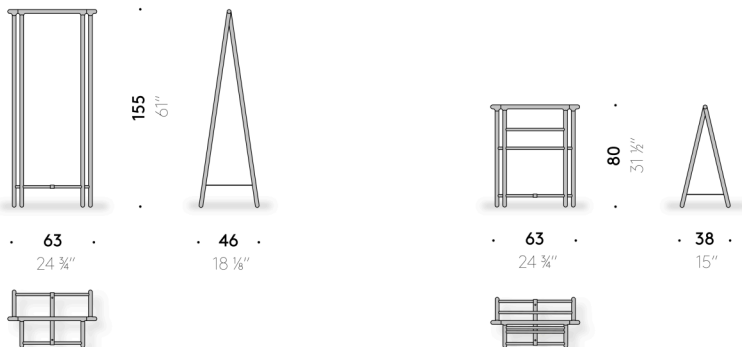
Materiali

Struttura

massello di acero tinto bianco neve o grigio carbone, finito con vernice trasparente a base acqua o a solvente.

Cinghia

cuoio conciato al vegetale e tinto alla semianilina color naturale.



Branch Of The Maple

Design:

TIME & STYLE édition
MADE IN JAPAN

TIME & STYLE édition

+ info: <https://www.depadova.com/materials.pdf>
De Padova srl - info@depadova.it



VALET DE NUIT ET PORTE-MANTEAU

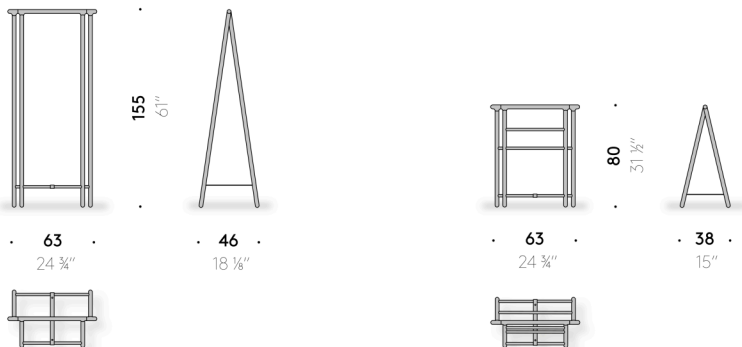
Matériaux

Structure

massif d'érable teinté blanc neige ou gris charbon, fini avec peinture transparent à l'eau ou à base de solvant.

Sangle

cuir tanné végétal et teint semi-aniline couleur naturel.



Branch Of The Maple

Design:

TIME & STYLE édition
MADE IN JAPAN

TIME & STYLE édition

+ info: <https://www.depadova.com/materials.pdf>
De Padova srl - info@depadova.it



STILLER DIENER UND GARDEROBENSTÄNDER

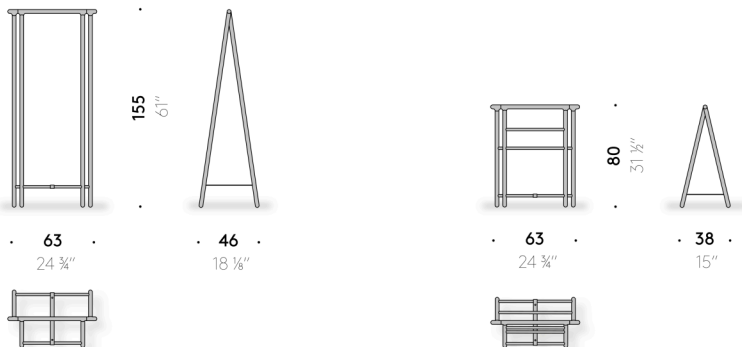
Materialien

Gestell

Massives Ahornholz, Schneeweiß oder kohlengrau gefärbt, endbehandelt mit transparentem Lack auf Wasser- oder Lösemittelbasis.

Gurt

aus pflanzlich gegerbtem und semi-anilingefärbtem Kernleder, naturfarben.



Branch Of The Maple

Design:

TIME & STYLE ědition
MADE IN JAPAN

TIME & STYLE ědition

+ info: <https://www.depadova.com/materials.pdf>
De Padova srl - info@depadova.it



PERCHERO VALET Y PERCHERO

Materiales

Estructura

madera maciza de acero teñida blanco nieve o gris carbón, acabada con barniz transparente al agua o al disolvente.

Cincha

cuero con curtido vegetal y teñido a la semianilina color natural.

